

Electrical Equipment (Cont)

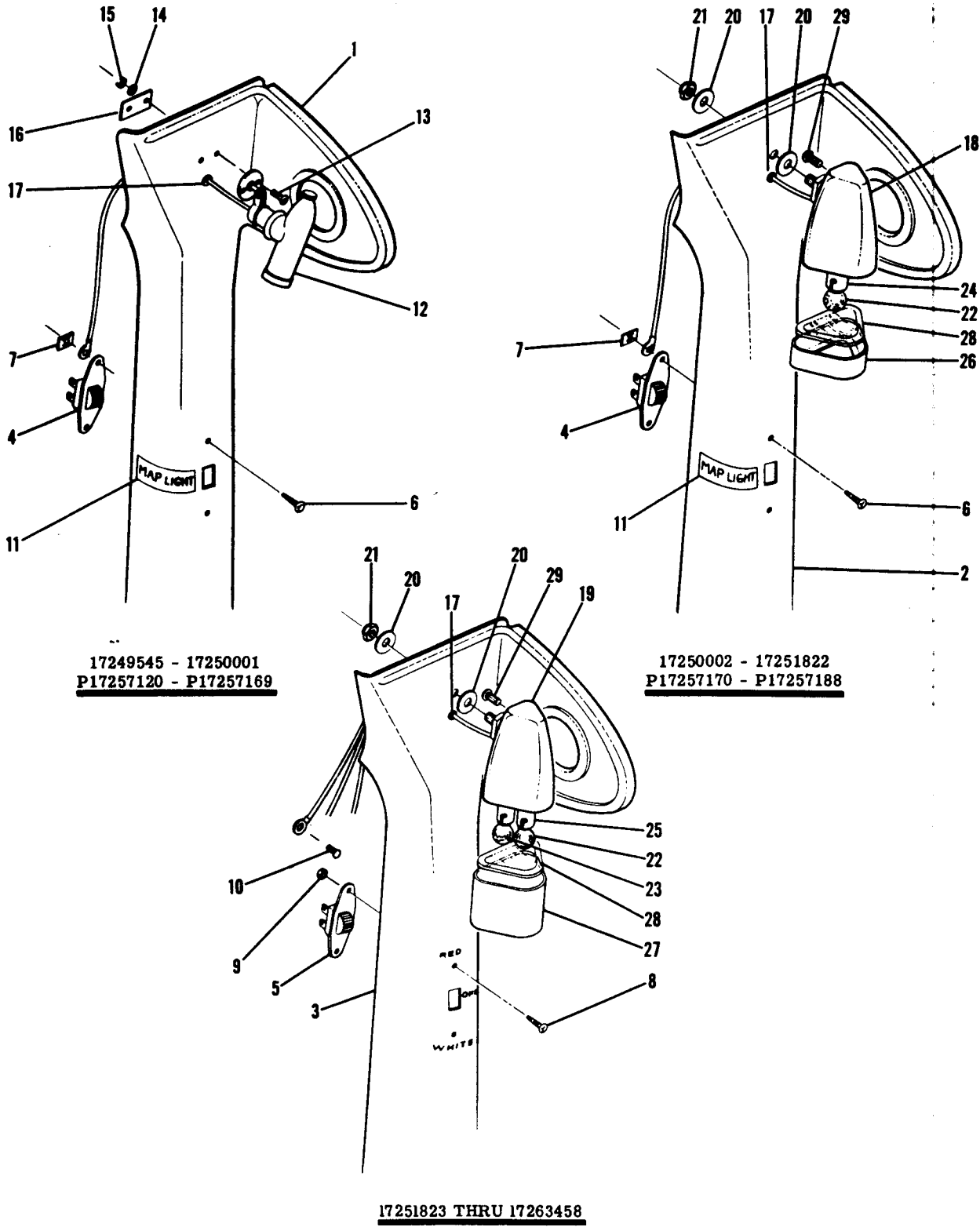


Figure 202. Map Light Installation

FIGURE AND INDEX NO.	PART NUMBER	DESCRIPTION	UNITS PER ASSY	USABLE ON CODE
		1 2 3 4 5 6 7		
202 -		MAP LIGHT INSTALLATION -----	NP	
- 1	0711133-15	SHIELD-FRONT DOORPOST LH -----	1	A
- 2	0711133-17	SHIELD-FRONT DOORPOST LH -----	1	B
- 3	0711133-33	SHIELD-FRONT DOORPOST LH -----	1	F
	0711133-49	SHIELD-FRONT DOORPOST LH -----	1	G
	0413484-4	SHIELD-FRONT DOORPOST LH WHEN EXHAUSTED USE 0413484-4 -----	1	H
	0413484-9	SHIELD ASSEMBLY-FRONT DOORPOST -----	1	J
	0413484-11	SHIELD ASSEMBLY-FRONT DOOR POST -----	1	K
	0413484-13	SHIELD ASSEMBLY-FRONT DOOR POST -----	1	L
- 4	0713029	SWITCH-MAP LIGHT -----	1	C
- 5	S1501-1	SWITCH-MAP LIGHT -----	1	D
		ATTACHING PARTS -----		
- 6	S102124-6	SCREW -----	2	C
- 7	NAS446-1-3	NUT -----	2	C
- 8	ANS15-3R6	SCREW -----	2	D
- 9	AN340-3	NUT -----	2	D

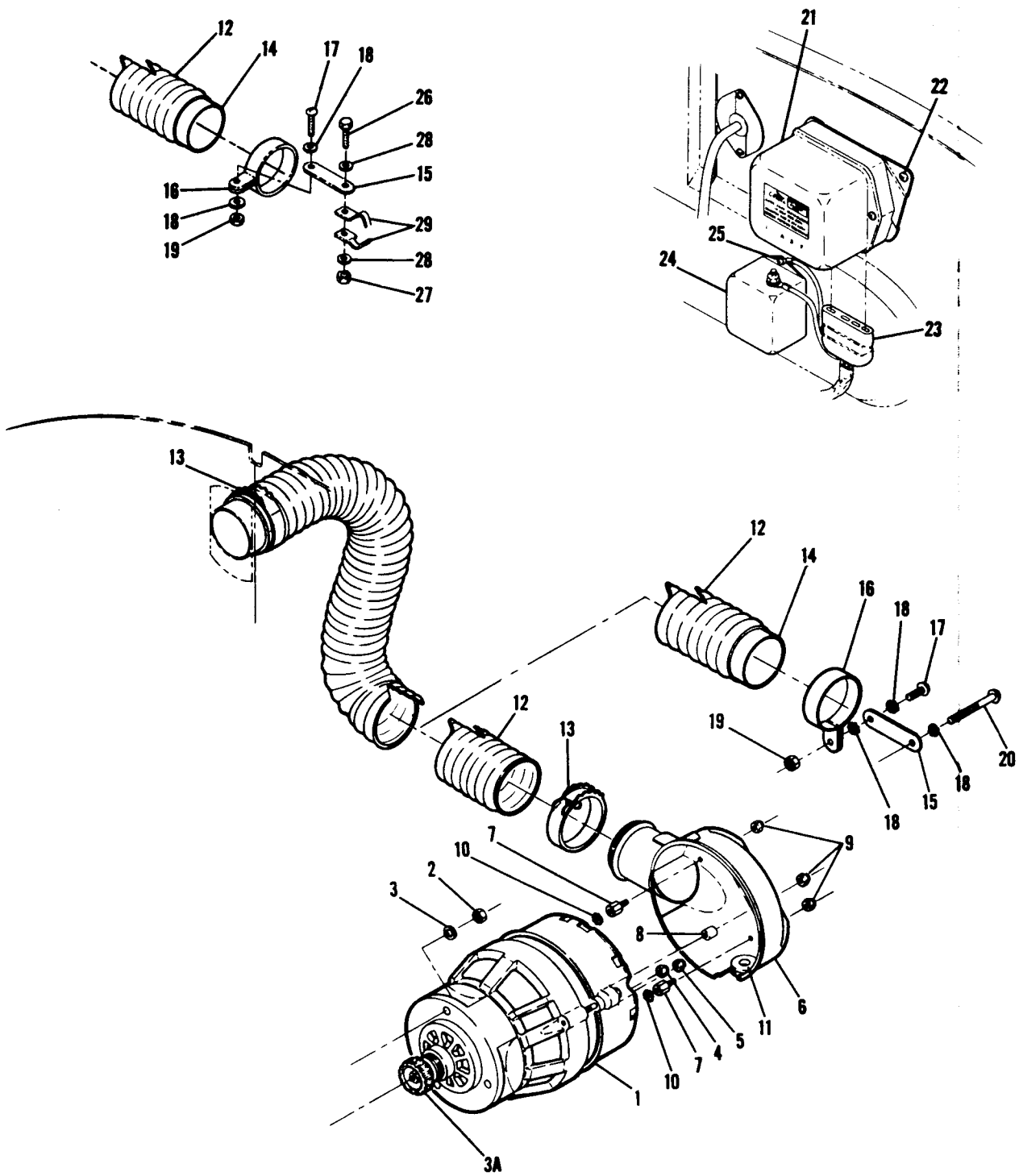
-10	S102124-4	SCREW GROUND WIRE -----	1	D
-11	0713210-4	PLACARD-MAP LIGHT -----	1	C
-12	0713017-22	SPOTLIGHT ASSEMBLY -----	1	A
		ATTACHING PARTS -----		
-13	ANS15-6R8	SCREW -----	2	A
-14	AN960-6	WASHER -----	2	A
-15	MS21044N06	NUT -----	1	A
-16	0511311-5	DOUBLER -----	1	A

-17	MS35489-4	GROMMET -----	1	B
-18	1470089-10-532	MAPLIGHT ASSEMBLY -----	1	D
-19	1470089-14	MAPLIGHT ASSEMBLY -----	1	D
		ATTACHING PARTS -----		
-20	AN970-3	WASHER -----	2	E
-21	MS21044N3	NUT -----	1	E

-22	1816	LAMP GE -----	1	E
-23	1816TR	LAMP RED GE -----	1	D
-24	1924	SOCKET SHH1 -----	1	B
-25	101-157	SOCKET ASSEMBLY ISES -----	1	B
-26	1470089-6	RETAINER -----	1	D
-27	0700148-1	HOOD -----	1	E
-28	1470089-18	LENS -----	1	E
-29	ANS15-6R8	SCREW-ADJUSTMENT -----	1	E

NOTE. THIS PART NUMBER MUST HAVE A SECOND DASH NUMBER ADDED TO DENOTE COLOR. REFER TO HOW TO ORDER INTERIOR PARTS-PAGE XIX.				
<p>A---172 SERIAL 17249545 THRU 17250001 F172 SERIAL F172-0001 THRU F172-0003 P172 SERIAL P17257120 THRU P17257169</p> <p>B---172 SERIAL 17250002 THRU 17251822 F172 SERIAL F172-0004 THRU F172-0085 P172 SERIAL P17257170 THRU P17257188 FP172 SERIAL FP172-0001 THRU FP172-0003</p> <p>C---172 SERIAL 17249545 THRU 17251822 F172 SERIAL F172-0001 THRU F172-0085 P172 SERIAL P17257120 THRU P17257188 FP172 SERIAL FP172-0001 THRU FP172-0003</p> <p>D---172 SERIAL 17251823 THRU 17263458 F172 SERIAL F172-0086 THRU F17201234</p> <p>E---172 SERIAL 17250002 THRU 17263458 F172 SERIAL F172-0004 THRU F17201234 P172 SERIAL P17257170 THRU P17257188 FP172 SERIAL FP172-0001 THRU FP172-0003</p> <p>F---172 SERIAL 17251823 THRU 17254892 F172 SERIAL F172-0086 THRU F172-0319</p> <p>G---172 SERIAL 17254893 THRU 17257161 F172 SERIAL F172-0320 THRU F172-0559</p> <p>H---172 SERIAL 17257162 THRU 17259223 F172 SERIAL F172-0560 THRU 17200754</p> <p>J---172 SERIAL 17259224 THRU 17259903 F172 SERIAL F17200755 THRU F17200804</p> <p>K---172 SERIAL 17259904 THRU 17260758 F172 SERIAL F17200805 THRU F17200904</p> <p>L---172 SERIAL 17260759 THRU 17263458 F172 SERIAL F17200905 THRU F17201234</p>				

Electrical Equipment (Cont)

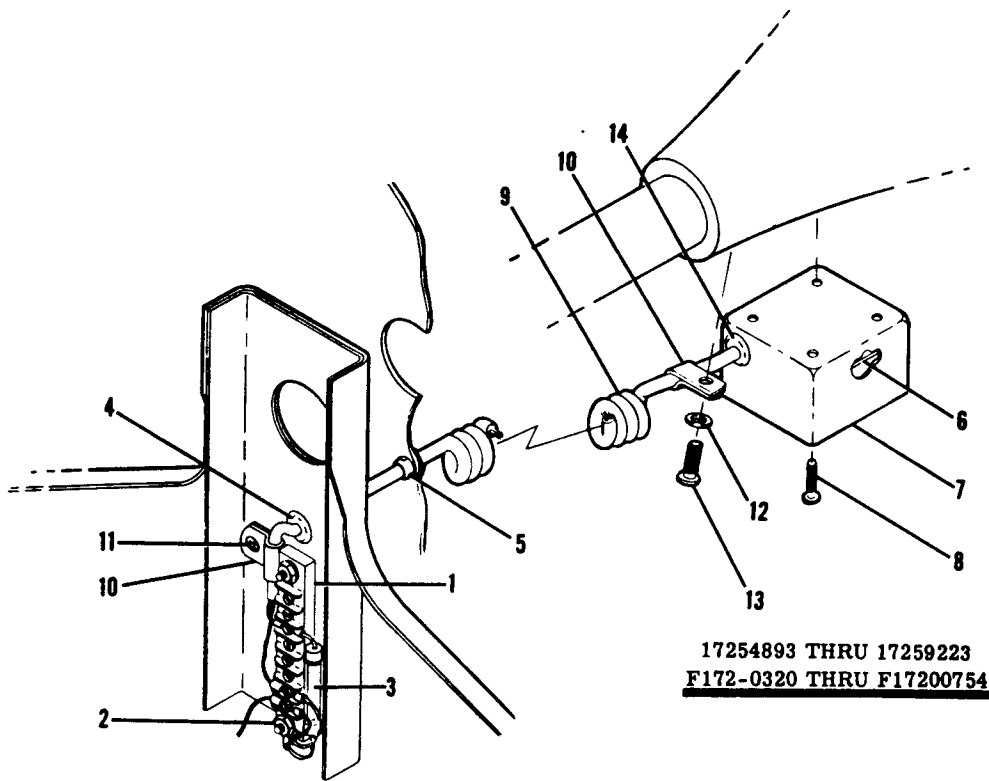


172 SERIAL - SEE CODE A

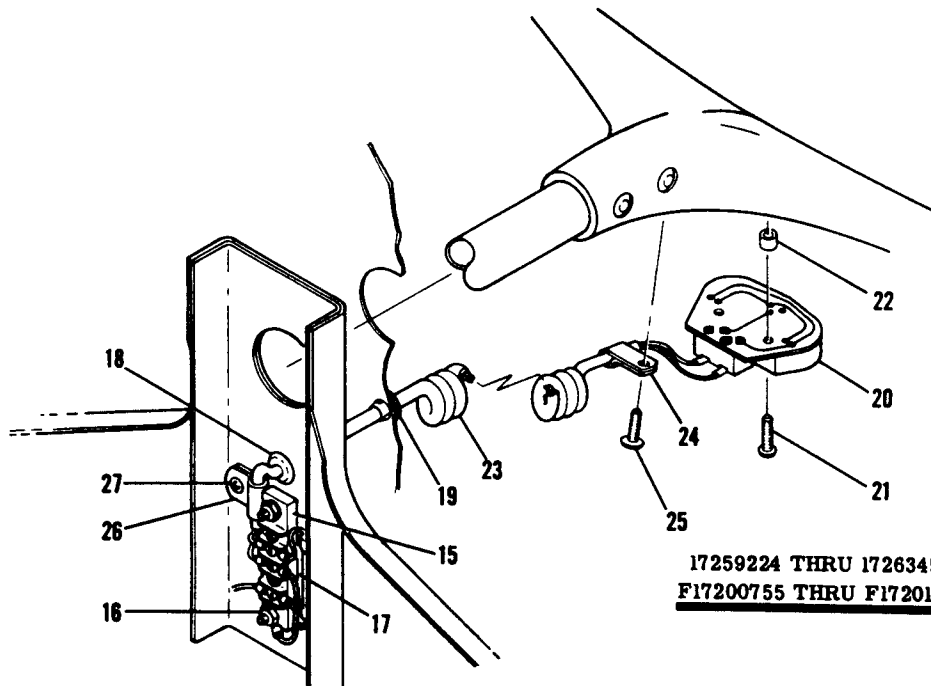
Figure 203. Alternator Installation

FIGURE AND INDEX NO.	PART NUMBER	DESCRIPTION	UNITS PER ASSY	USABLE ON CODE
		1 2 3 4 5 6 7		
203 -		ALTERNATOR INSTALLATION 60 AMP	NP	A
- 1	C611501-0202	ALTERNATOR ASSEMBLY WEU C611501-0204	1	1
	C611501-0204	ALTERNATOR ASSEMBLY	1	1
- 2	MS21042L5	ATTACHING PARTS	3	
- 3	AN960-516	NUT	3	
		WASHER		
- 3A	EQ5820	DRIVE ASSEMBLY-ALTERNATOR CM	1	
- 4	MS21042L4	NUT ON BATTERY TERMINAL	1	
	AN936A416	WASHER ON BATTERY TERMINAL	1	
	AN316C4R	NUT ON BATTERY TERMINAL USED ON C611501-0202	1	
	AN340-416	NUT ON BATTERY TERMINAL USED ON C611501-0204	1	
- 5	MS20365-1032	NUT ON FIELD TERMINAL	1	
	AN935-10	WASHER ON FIELD TERMINAL	1	
	S1505-3	NUT ON FIELD TERMINAL USED ON C611501-0202	1	
	AN340-10	NUT ON FIELD TERMINAL USED UN C611501-0204	1	
- 6	1550016-1	SHROUD ASSEMBLY	1	B
		ATTACHING PARTS		
- 7	0450030-1	SPACER-MOUNT	2	B
- 8	NAS430J3-24	SPACER	1	B
- 9	MS20365-1032	NUT	3	B
- 10	AN936A-10	WASHER	2	B
		GROMMET	1	B
- 11	NAS557-10A	HOSE 24 IN LG BULK ITEM REF S1053E16T24	1	
- 12	S1053E16T24	ATTACHING PARTS		
- 13	NAS397-34	CLAMP	2	B
	NAS397-34	CLAMP	1	C
- 14	0450032-1	SUPPORT-BLAST TUBE	1	C
- 15	0450033-1	STRAP-BLAST TUBE SUPPORT	1	C
- 16	AN735-34	CLAMP	1	C
- 17	AN520-10R12	SCREW	3	D
- 18	AN936A10	WASHER	1	D
- 19	MS21042L4	NUT	1	D
- 20	AN515-10R36	SCREW	1	
		REGULATOR 60 AMP	1	
- 21	C611001-0201	ATTACHING PARTS	2	
		SCREW	1	B
- 22	AN520-416R8	ADAPTER PLATE-REGULATOR	2	B
	0550238-1	BOLT	2	B
	AN4-10A	NUT		
	MS21042L4	PLUG ASSEMBLY	1	C
- 23	1250211-5	PLUG ASSEMBLY	1	B
	1250211-4	NOISE FILTER	1	
- 24	0770038-2	ATTACHING PARTS		
- 25	AN520-10R8	SCREW	2	
		BOLT	1	E
- 26	AN3-3	NUT	1	E
- 27	MS21044N3	WASHER	2	E
- 28	AN936A10	WASHER	2	E
- 29	0450036-1	CLAMP HALF		
		<p>A---172 SERIAL 17253903 THRU 17253906, 17253908 THRU 17253920, 17253922 THRU 17253931, 17253935, 17253937, 17253939, 17253940, 17253942, 17253943 17254893 THRU 17256512</p> <p>F172 SERIAL F172-0320 THRU F17200804</p> <p>B---172 SERIAL 17253903 THRU 17253906, 17253908 THRU 17253920, 17253922 THRU 17253931, 17253935, 17253937, 17253939, 17253940, 17253942, 17253943,</p> <p>C---172 SERIAL 17254893 THRU 17256512 F172 SERIAL F172-0320 THRU F17200804</p> <p>D---172 SERIAL 17254893 THRU 17256490 F172 SERIAL F172-0320 THRU F172-0519</p> <p>E---172 SERIAL 17256491 THRU 17256512 F172 SERIAL F172-0520 THRU F17200804</p>		

Electrical Equipment (Cont)



17254893 THRU 17259223
F172-0320 THRU F17200754



17259224 THRU 17263458
F17200755 THRU F17201234

172 SERIAL 17254893 THRU 17263458
F172 SERIAL F172-0320 THRU F17201234

Figure 204. Control Wheel Map Light Installation

FIGURE AND INDEX NO.	PART NUMBER	DESCRIPTION	UNITS PER ASSY	USABLE ON CODE
		1 2 3 4 5 6 7		
204 -		MAP LIGHT INSTALLATION-CONTROL WHEEL	NP	A
- 1	8-171	TERMINAL BLOCK CIN	1	
		ATTACHING PARTS		
- 2	AN507-440-10	SCREW	2	
	NAS43000-6	SPACER	2	
	AN936A4	WASHER	2	
	AN340-4	NUT	2	
		-----*		
- 3	1570141-1	FUSE ASSEMBLY	1	
- 4	MS35489-33	GROMMET	1	
- 5	K375-125	BUSHING-SNUB HEMA	1	
- 6	1570142-3	CIRCUIT BOARD	1	
- 7	1770009-1	SHIELD	1	
		ATTACHING PARTS		
- 8	AN515-2R10	SCREW	4	
	S1959-1	INSERT	4	
		-----*		
- 9	8499	CABLE-RETRACTILE BDN	1	
		ATTACHING PARTS		
-10	S1155-3	CLAMP	2	
-11	AN507-832-5	SCREW	1	
	AN936A8	WASHER	1	
	AN340-8	NUT	1	
-12	AN960-8L	WASHER	1	
-13	AN515-8R5	SCREW	1	
	S1959-2	INSERT	1	
		-----*		
-14	MS35489-4	GROMMET	1	
		MAP LIGHT INSTALLATION-CONTROL WHEEL	NP	B
-15	351-11-05-001	TERMINAL BLOCK CIN	1	
		ATTACHING PARTS		
-16	AN515-4R10	SCREW	2	
	NAS43000-6	SPACER	2	
	AN936A4	WASHER	2	
	AN340-4	NUT	2	
		-----*		
-17	1570141-1	FUSE ASSEMBLY	1	
-18	MS35489-33S	GROMMET	1	
-19	K375-125	BUSHING-SNUB HEMA	1	
-20	0570088-1	LIGHT ASSEMBLY-MAP	1	E
	0570088-3	LIGHT ASSEMBLY-MAP	1	
		ATTACHING PARTS		
-21	AN515-2R12	SCREW	2	
	S1959-1	INSERT	2	
-22	NAS43000-15	SPACER	2	
		-----*		
	1205004-1	PLACARD-MAP LIGHT DIM	1	
	0570095-1	COVER-TERMINAL BLOCK	1	C
	0570094-1	SHIELD	1	
		ATTACHING PARTS		
	MS51959-58	SCREW	2	
	0570094-2	SPACER	2	
		-----*		
-23	8409	CABLE-RETRACTILE BDN	1	
		ATTACHING PARTS		
-24	S1155-3	CLAMP	1	
-25	AN515-8R5	SCREW	1	
	S1959-2	INSERT	1	
	AN960-8L	WASHER	1	
-26	S1155-3	CLAMP	1	
-27	AN515-8R6	SCREW	1	
	AN936A8	WASHER	1	
	AN340-8	NUT	1	
		-----*		
NOTE. *THIS CABLE ALSO USED WITH MIKE SWITCH				
A---172 SERIAL 17254893 THRU 17259223				
F172 SERIAL F172-0320 THRU F17200754				
B---172 SERIAL 17259224 THRU 17263458				
F172 SERIAL F17200755 THRU F17201234				
C---172 SERIAL 17259879 THRU 17259903				
F172 SERIAL F172-CHECK INDIVIDUAL AIRPLANE FOR APPLICABILITY				
D---172 SERIAL 17259224 THRU 17259903				
F172 SERIAL F17200755 THRU F17200804				
E---172 SERIAL 17259904 THRU 17263458				
F172 SERIAL F17200805 THRU F17201234				